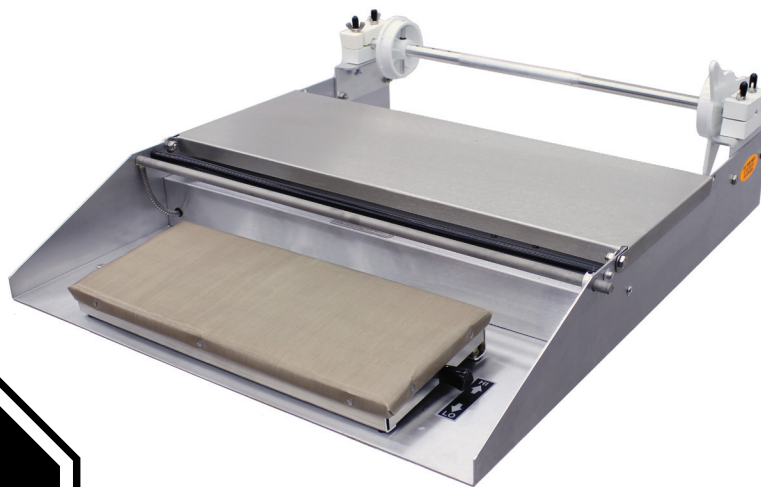




Wrapping Machine
Model SE-US-0533-S
Item 14428
Instruction Manual



Revised - 04/06/2021



Toll Free: 1-800-465-0234
Fax: 905-607-0234
Email: service@omcan.com
www.omcan.com

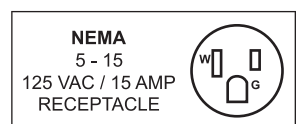


Table of Contents

Model SE-US-0533-S

Section	Page
General Information -----	3 - 4
Safety and Warranty -----	4 - 5
Technical Specifications -----	5
Installation and Operation -----	6
Maintenance -----	6 - 7
Parts Breakdown -----	7 - 8
Notes -----	9 - 10
Warranty Registration -----	11



General Information

Omcan Manufacturing and Distributing Company Inc., Food Machinery of America, Inc. dba Omcan and Omcan Inc. are not responsible for any harm or injury caused due to any person's improper or negligent use of this equipment. The product shall only be operated by someone over the age of 18, of sound mind, and not under the influence of any drugs or alcohol, who has been trained in the correct operation of this machine, and is wearing authorized, proper safety clothing. Any modification to the machine voids any warranty, and may cause harm to individuals using the machine or in the vicinity of the machine while in operation.

CHECK PACKAGE UPON ARRIVAL

Upon receipt of an Omcan shipment please inspect for external damage. If no damage is evident on the external packaging, open carton to ensure all ordered items are within the box, and there is no concealed damage to the machine. If the package has suffered rough handling, bumps or damage (visible or concealed), please note it on the bill of lading before accepting the delivery and contact Omcan within 24 hours, so we may initiate a claim with the carrier. A detailed report on the extent of the damage caused to the machine must be filled out within three days, from the delivery date shown in the shipping documents. Omcan has no recourse for damaged products that were shipped collect or third party.

Before operating any equipment, always read and familiarize yourself with all operation and safety instructions.

Omcan would like to thank you for purchasing this machine. It's of the utmost importance to save these instructions for future reference. Also save the original box and packaging for shipping the equipment if servicing or returning of the machine is required.

Omcan Fabrication et distribution Compañie Limité et Food Machinery d'Amérique, dba Omcan et Omcan Inc. ne sont pas responsables de tout dommage ou blessure causé du fait que toute personne ait utilisé cet équipement de façon irrégulière. Le produit ne doit être exploité que par quelqu'un de plus de 18 ans, saine d'esprit, et pas sous l'influence d'une drogue ou d'alcool, qui a été formé pour utiliser cette machine correctement, et est vêtu de vêtements de sécurité approprié. Toute modification de la machine annule toute garantie, et peut causer un préjudice à des personnes utilisant la machine ou des personnes à proximité de la machine pendant son fonctionnement.

VÉRIFIEZ LE COLIS DÈS RÉCEPTION

Dès réception d'une expédition d'Omcan veuillez inspecter pour dommages externes. Si aucun dommage n'est visible sur l'emballage externe, ouvrez le carton afin de s'assurer que tous les éléments commandés sont dans la boîte, et il n'y a aucun dommage dissimulé à la machine. Si le colis n'a subi aucune mauvaises manipulations, de bosses ou de dommages (visible ou cachée), notez-le sur le bond de livraison avant d'accepter la livraison et contactez Omcan dans les 24 heures qui suivent, pour que nous puissions engager une réclamation auprès du transporteur. Un rapport détaillé sur l'étendue des dommages causés à la machine doit être rempli dans un délai de trois jours, à compter de la date de livraison indiquée dans les documents d'expédition. Omcan n'a aucun droit de recours pour les produits endommagés qui ont été expédiés ou cueilli par un tiers transporteur.

General Information

Avant d'utiliser n'importe quel équipement, toujours lire et vous familiariser avec toutes les opérations et les consignes de sécurité.

Omcan voudrais vous remercier d'avoir choisi cette machine. Il est primordial de conserver ces instructions pour une référence ultérieure. Également conservez la boîte originale et l'emballage pour l'expédition de l'équipement si l'entretien ou le retour de la machine est nécessaire.

Omcan Empresa De Fabricacion Y Distribucion Inc. Y Maquinaria De Alimentos De America, Inc. dba Omcan y Omcan Inc. no son responsables de ningun daño o perjuicio causado por cualquier persona inadecuada o el uso descuidado de este equipo. El producto solo podra ser operado por una persona mayor de 18 años, en su sano juicio y no bajo alguna influencia de droga o alcohol, y que este ha sido entrenado en el correcto funcionamiento de esta máquina, y ésta usando ropa apropiada y autorizada. Cualquier modificación a la máquina anula la garantía y puede causar daños a las personas usando la máquina mientras esta en el funcionamiento.

REVISE EL PAQUETE A SU LLEGADA

Tras la recepcion de un envio Omcan favor inspeccionar daños externos. Si no hay daños evidentes en el empaque exterior, Habra el carton para asegurarse que todos los articulos solicitados estén dentro de la caja y no encuentre daños ocultos en la máquina. Si el paquete ha sufrido un manejo de poco cuidado, golpes o daños (visible o oculto) por favor anote en la factura antes de aceptar la entrega y contacte Omcan dentro de las 24 horas, de modo que podamos iniciar una reclamación con la compañía. Un informe detallado sobre los daños causados a la máquina debe ser llenado en el plazo de tres días, desde la fecha de entrega que se muestra en los documentos de envío. Omcan no tiene ningun recurso por productos dañados que se enviaron a recoger por terceros.

Antes de utilizar cualquier equipo, siempre lea y familiarizarse con todas las instrucciones de funcionamiento y seguridad.

Omcan le gustaría darle las gracias por la compra de esta máquina. Es de la mayor importancia para salvar estas instrucciones para futuras consultas. Además, guarda la caja original y el embalaje para el envío del equipo si servicio técnico o devolución de la máquina que se requiere.

Safety and Warranty

WARNING

PLEASE READ THE USER MANUAL CAREFULLY BEFORE OPERATING THE MACHINE

This manual has been prepared to enable the correct installation, regulation and maintenance of the unit. It is therefore of basic importance that the warnings contained in this booklet are carefully read as they supply essential indications regarding the safety of the installation, use and maintenance. The appliance must be installed, tested and serviced by qualified personnel only. Any adjustment whatsoever not expressly authorized



Safety and Warranty

and in disrespect of this manual voids the warranty. Observe all existing local regulations at the time of installation. The packing materials (plastic bags, polystyrene, nails, etc.) as potential hazards, must be kept out of the reach of children and properly recycled according to the existing local regulations. For repairs contact Omcan and request the use of original spare parts. If in doubt do not use the appliance and contact Omcan. Not following the above conditions could risk the safety of those using the unit.

1 YEAR PART AND LABOUR WARRANTY

Within the warranty period, contact Omcan Inc. at 1-800-465-0234 to schedule an Omcan authorized service technician to repair the equipment locally.

Unauthorized maintenance will void the warranty. Warranty covers electrical and part failures, not improper use.

Please see <https://omcan.com/disclaimer> for complete info.

WARNING:

The packaging components (cardboard, polyethylene, and others) are classified as normal solid urban waste and can therefore be disposed of without difficulty.

In any case, for suitable recycling, we suggest disposing of the products separately (differentiated waste) according to the current norms.

DO NOT DISCARD ANY PACKAGING MATERIALS IN THE ENVIRONMENT!

Technical Specifications

Model	SE-US-0533-S
Type	One-Roll Capacity with Mounting Axle
Stretch Film	18" / 457mm maximum width
Hot Plate	6" x 15" / 452 x 381mm
Electrical	110V / 60Hz / 1
Weight	30 lbs. / 13.6 kgs.
Packaging Weight	32 lbs. / 14.5 kgs.
Dimensions	26" x 22.3" x 9" / 660 x 565 x 229mm
Packaging Dimensions	30" x 24" x 12" / 762 x 610 x 305mm
Item Number	14428

Installation and Operation

INSTALLING COMPLETE AXLE ASSEMBLY

To install the axle assembly (1), simply position the assembly at the rear of the machine (2) with the removable end cap (3) on the left side as pictured above.

Insert two bolts (4) on each side through the machine base (2) and bearing block plates (5), slide on washers and fasten washers with hex nuts (6).

REPLACING THE INDIVIDUAL AXLE

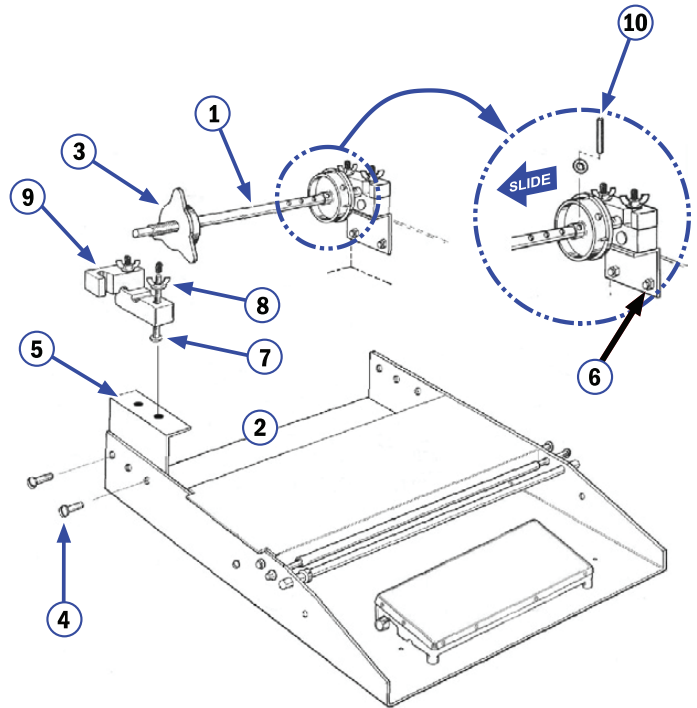
To replace the axle, remove cap from end of one bolt (7) and unscrew wing nut (8), then pull screw from bearing block (9) and open to release the axle assembly, replace axle assembly with removable cap as shown above.

LOADING AND ADJUSTING AXLE FOR DIFFERENT WIDTH FILMS

Loosen the wing nuts and swing out upper bearing blocks on both sides.

Lift out the axle assembly, unscrew the movable end cap and position fixed cap for film size being used and secure with pin and o-ring (10).

Place the core of the film against the fixed cap and feed film from bottom of roll (check threading diagrams on previous page). Replace the movable end cap and screw tightly into film core. Replace the axle back into bearing blocks and then tighten wing nuts to desired film tension.



Maintenance

CIRCUIT BOARD TEST:

A standard 110V Neon circuit tester can be used for testing.

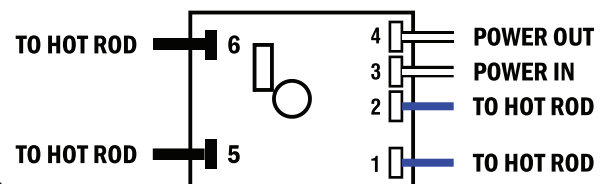
CHECKING FUSE:

With the power OFF, disconnect red wire from Terminal 1 and secure it out of the way without touching any metal. With power ON, test across Terminals 3 and 4. If tester does not light, replace fuse.

CHECKING HOT ROD:

With the power OFF, disconnect red wire from Terminal 1 and secure it out of the way without touching any metal. With power ON, test between Terminal 1 and end of disconnected wire. If tester does not light, replace the hot rod.

Circuit board example



Maintenance

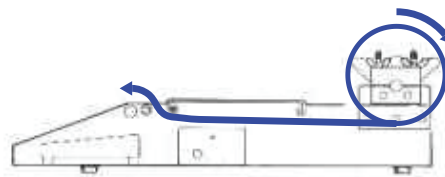
CHECKING BOARD:

With the power OFF, disconnect red wire from Terminal 1 and secure it out of the way without touching any metal. With power ON, test across Terminals 1 and 2. If tester does not light, replace circuit board.

WARNING: THIS UNIT SHOULD NOT BE OPERATED IF ROD TEMPERATURE EXCEEDS 275° FAHRENHEIT. IF SMOKE OR FUMES ARE DETECTED, DISCONTINUE USE

TO LOAD FILM ON WRAPPERS WITH ROLLERS:

- Rest Film Roll on Top of Two Rollers, Centering Film Between the Plastic Guides.
- Tighten Thumb Screw Against the Film Brake to Ensure Proper Film Tension.
- Thread Film Per Diagrams Below. NOTE: Thread Rolls One at a Time or as Needed.



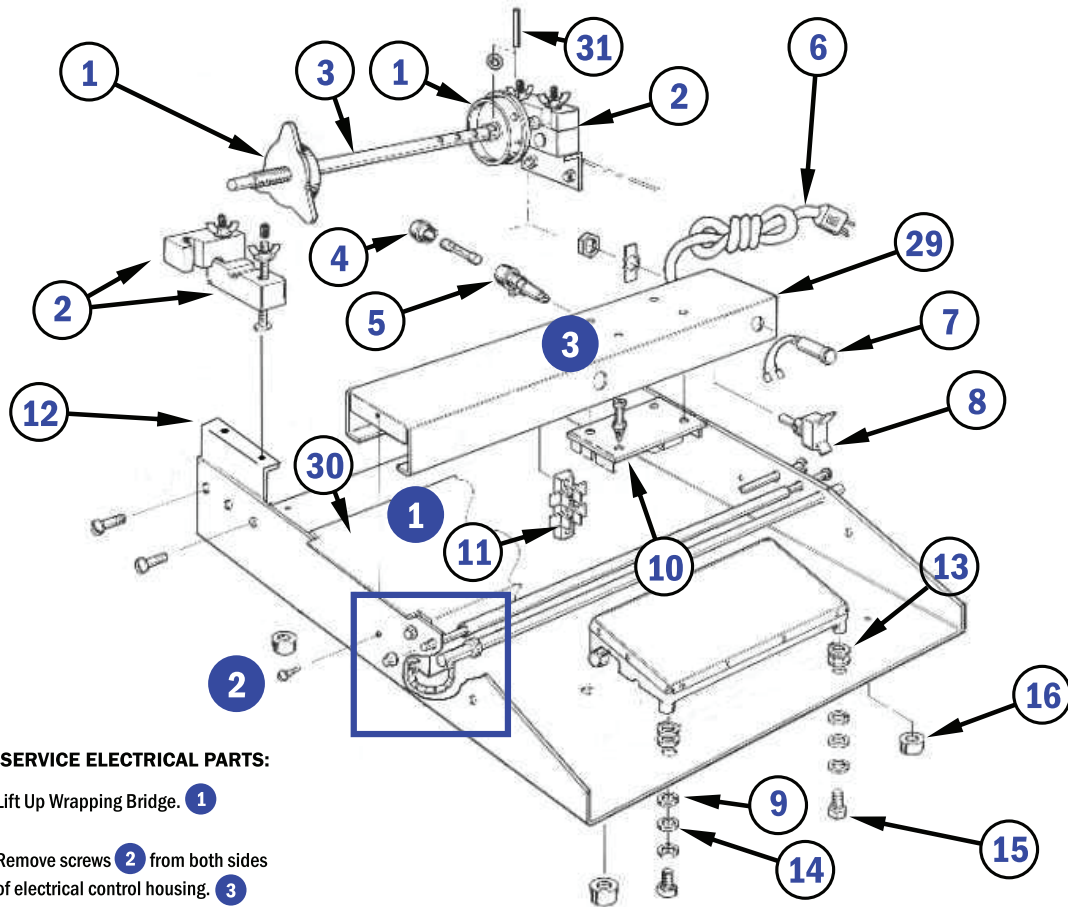
Parts Breakdown

Model SE-US-0533-S 14428

Item No.	Description	Position	Item No.	Description	Position	Item No.	Description	Position
15691	Core Adapter Set for 14428	1	37445	Brg. Blk. Supt. Plate for 14428	12	17542	Thinnerman Cap for 14428	23
15697	Bearing Block Set for 14428	2	15676	Insulator Washer for 14428	13	40582	Kit Film Retainer Rod 1/4" D by 22 5/8" L Vinyl Film Retainer and Two Caps for 14428	24
15683	Axle for 14428	3	37444	Lock Washer for 14428	14	15695	Retainer Film Guide Vinyl for 14428	25
15671	Fuse for 14428	4	37443	Hex Cap Screw for 14428	15	27860	Snap Bushing for 14428	26
15672	Fuse Holder for 14428	5	15681	Rubber Feet 4/Pack (2135-001) for 14428	16	15684	Hot Rod Collar for 14428	27
15678	Power Cord 102-107A for 14428	6	15682	Knob Thermostat 102A for 14428	17	15675	Hot Rod for 14428	28
15677	Pilot Light for 14428	7	28511	Cover with Non-Stick Coating 6x15 for 14428	18	37439	Elec. Control Hsg. for 14428	29
15679	Switch Toggle for 14428	8	15686	Hot Plate Casting for 14428	19	37438	Wrapping Bridge for 14428	30
37447	Insulator Washer for 14428	9	14769	Element for 14428	20	27859	Core Adapter Pin for 14428	31
15670	Circuit Board for 14428	10	15680	Thermostat for 14428	21	76333	Hot Plate Assembly for 14428	
37446	Terminal Block for 14428	11	28499	Element Plate Retain for 14428	22			

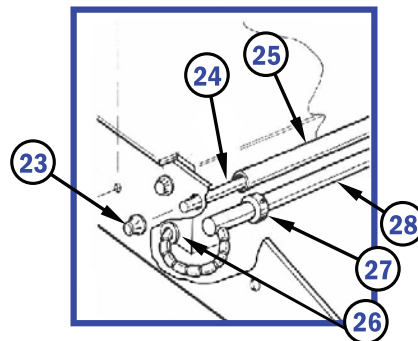
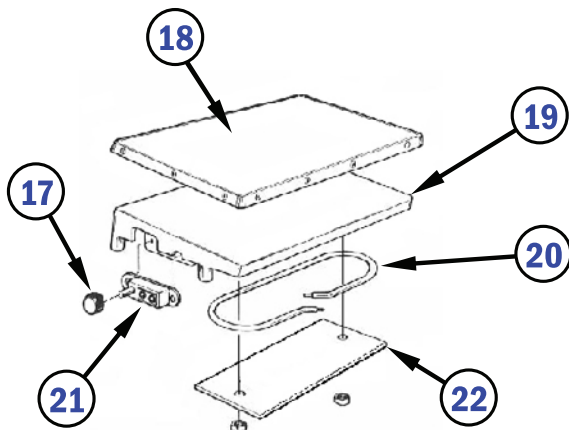
Parts Breakdown

Model SE-US-0533-S 14428



TO SERVICE ELECTRICAL PARTS:

- Lift Up Wrapping Bridge. **1**
- Remove screws **2** from both sides of electrical control housing. **3**
- Lift out Electrical Control Housing.



Make Sure To Lift Film From Behind Plastic Guide To Avoid Burning Fingers on Hot Rod



Warranty Registration

Thank you for purchasing an Omcan product. To register your warranty for this product, complete the information below, tear off the card at the perforation and then send to the address specified below. You can also register online by visiting:

Merci d'avoir acheté un produit Omcan. Pour enregistrer votre garantie pour ce produit, complétez les informations ci-dessous, détachez la carte au niveau de la perforation, puis l'envoyer à l'adresse spécifiée ci-dessous. Vous pouvez également vous inscrire en ligne en visitant:

Gracias por comprar un producto Omcan usted. Para registrar su garantía para este producto, complete la información a continuación, cortar la tarjeta en la perforación y luego enviarlo a la dirección indicada a continuación. También puede registrarse en línea en:

<https://omcan.com/warranty-registration/>

For mailing in Canada

Pour postale au Canada

Por correo en Canadá

For mailing in the US

Pour diffusion aux États-Unis

Por correo en los EE.UU.

OMCAN

PRODUCT WARRANTY REGISTRATION

3115 Pepper Mill Court,

Mississauga, Ontario

Canada, L5L 4X5

OMCAN

PRODUCT WARRANTY REGISTRATION

4450 Witmer Industrial Estates, Unit 4,

Niagara Falls, New York

USA, 14305

or email to: service@omcan.com



Purchaser's Information

Name: _____

Address: _____

City: _____ Province or State: _____ Postal or Zip: _____

Country: _____

Dealer from which Purchased: _____

Dealer City: _____ Dealer Province or State: _____

Invoice: _____

Model Name: _____ Model Number: _____

Machine Description: _____

Date of Purchase (MM/DD/YYYY): _____

Would you like to extend the warranty? Yes No

Company Name: _____

Telephone: _____

Email Address: _____

Type of Company:

Restaurant Bakery Deli

Butcher Supermarket Caterer

Institution (specify): _____

Other (specify): _____

Serial Number: _____

Date of Installation (MM/DD/YYYY): _____

Thank you for choosing Omcan | Merci d'avoir choisi Omcan | Gracias por elegir Omcan



Since 1951 Omcan has grown to become a leading distributor of equipment and supplies to the North American food service industry. Our success over these many years can be attributed to our commitment to strengthen and develop new and existing relationships with our valued customers and manufacturers. Today with partners in North America, Europe, Asia and South America, we continually work to improve and grow the company. We strive to offer customers exceptional value through our qualified local sales and service representatives who provide convenient access to over 5,000 globally sourced products.

Depuis 1951 Omcan a grandi pour devenir un des “leaders” de la distribution des équipements et matériel pour l’industrie des services alimentaires en Amérique du Nord. Notre succès au cours de ces nombreuses années peut être attribué à notre engagement à renforcer et à développer de nouvelles et existantes relations avec nos clients et les fabricants de valeur. Aujourd’hui avec des partenaires en Amérique du Nord, Europe, Asie et Amérique du Sud, nous travaillons continuellement à améliorer et développer l’entreprise. Nous nous efforçons d’offrir à nos clients une valeur exceptionnelle grâce à nos ventes locales qualifiées et des représentants de service qui offrent un accès facile à plus de 5000 produits provenant du monde entier.

Desde 1951 Omcan ha crecido hasta convertirse en un líder en la distribución de equipos y suministros de alimentos en América del Norte industria de servicios. Nuestro éxito en estos años se puede atribuir a nuestro compromiso de fortalecer y desarrollar nuevas relaciones existentes con nuestros valiosos clientes y fabricantes. Hoy con socios de América del Norte, Europa, Asia y América del Sur, que trabajan continuamente para mejorar y crecer la empresa. Nos esforzamos por ofrecer a nuestros clientes valor excepcional a través de nuestro local de ventas y representantes de los servicios que proporcionan un fácil acceso a más de 5,000 productos con origen a nivel mundial.

